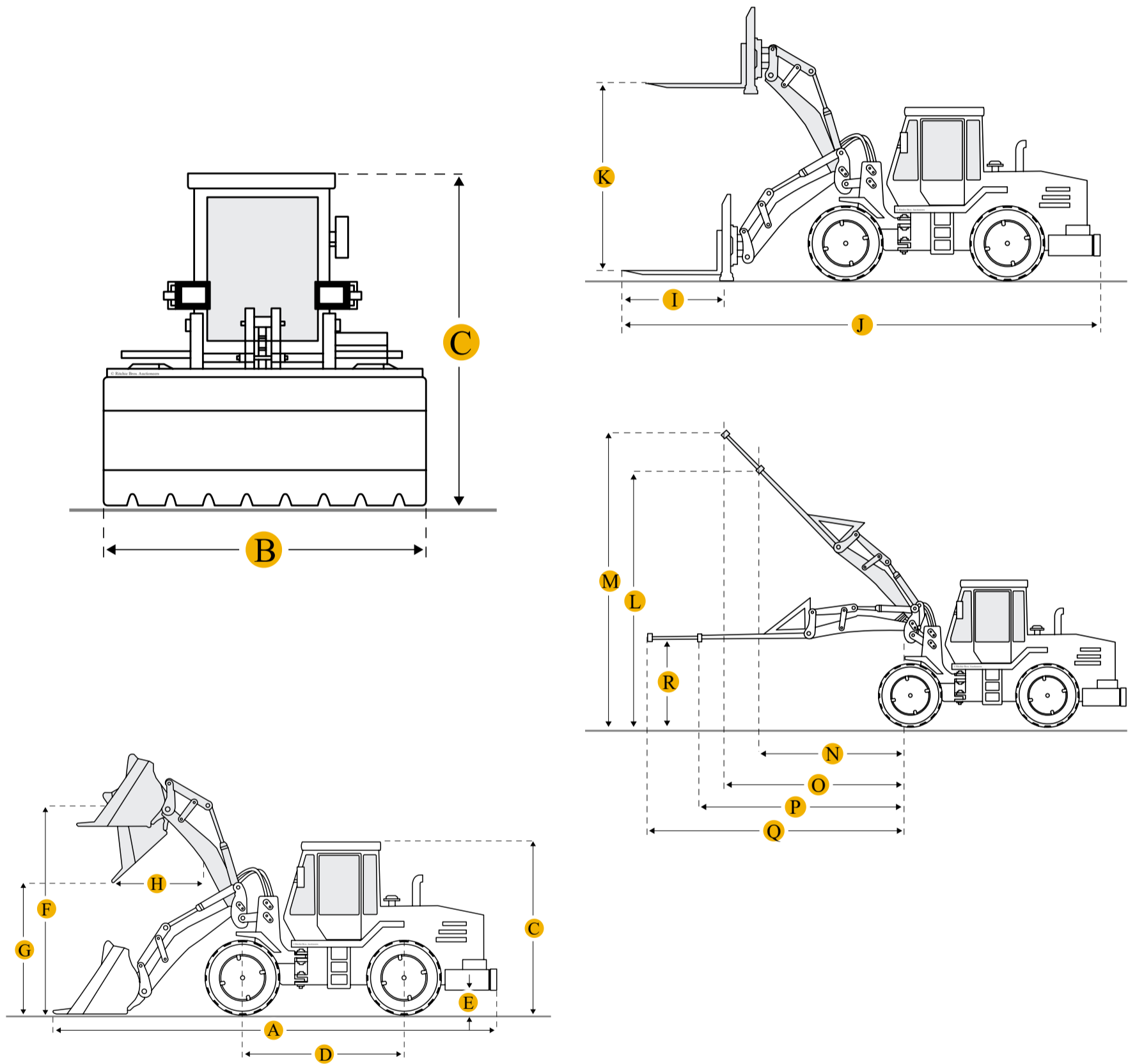


Caterpillar IT62G Integrated Tool Carrier



Units

Imperial

Metric

Dimensions

Dimensions

A **Length W/ Bucket On Ground**

8265 mm

C **Height To Top Of Cab**

3375 mm

D	Wheelbase	3350 m
E	Ground Clearance	400 mm
F	Hinge Pin Max Height	3740 mm
G	Dump Clearance At Max Lift	2841 mm
K	Max Lift Height	3790 mm
I	Fork Tine Length	1220 mm
L	Hook Height At Max Lift - Standard	5578 mm
M	Hook Height At Max Lift - Extended	7185 mm
N	Hook Reach At Max Lift - Standard	1608 mm
O	Hook Reach At Max Lift - Extended	2791 mm
	Length With Out Forks On Ground	8755 mm
	Reach At Max Height And Dump	1240 mm

Specifications

Engine

Engine Model	3126DITA
Gross Power	154.4 kw
Net Power	149.2 kw
Displacement	7.2 L
Bore	109.3 mm
Stroke	127 mm
Net Power - Iso 9249	149.2 kw
Net Power - Sae J1349	149.2 kw
Net Power - 80/1269/Eec	149.2 kw
Engine Model	Cat? 3126 DITA
Flywheel Power	149.2 kw
Maximum Flywheel Power	154.4 kw
Total Torque Rise	41.2 %

Flywheel Power - Din 70020	208
Peak Torque - 1,200 Rpm - Net	913.9 Nm
Operational	
Fuel Capacity	295 L
Hydraulic System Fluid Capacity	153 L
Tire Size	23.5r25 XHA(L-3)
Transmission	
Number Of Forward Gears	4
Number Of Reverse Gears	4
Max Speed Forward	37 km/h
Max Speed Reverse	40.5 km/h
Forward - 1	7 km/h
Forward - 2	12.8 km/h
Forward - 3	22.4 km/h
Forward - 4	37.1 km/h
Reverse - 1	7.6 km/h
Reverse - 2	14.1 km/h
Reverse - 3	24.7 km/h
Reverse - 4	40.8 km/h
Weights	
Operating Weight	18316.1 kg
Buckets	
Maximum Bucket Capacity	3.3 m3
Bucket Capacities	31.1 to 3.3 m3 : 4.0 to 4.25 yd3
Hydraulic System	
Raise Time	6.1 sec
Dump Time	2.1 sec
Lower Time	2.8 sec
Bucket	

Breakout Force	125.5 kN
Blade	
Width	2925 mm
Bucket	
Bucket Capacity - Heaped	3.3 m ³
Bucket Capacity - Struck	2.6 m ³
Axles	
Front	Fixed front
Rear	Oscillating rear (? 13?)
Maximum Single-Wheel Rise And Fall	482.6 mm
Hydraulic System	
Hydraulic Cycle Time - Total	11 s
Hydraulic Cycle Time - Lower, Empty, Float Down	2.8 s
Hydraulic Cycle Time - Raise	6.1 s
Bucket/Work Tool System - Relief Valve Setting	3000 psi
Hydraulic Cycle Time - Dump	2.1 s
Steering System - Pump Type	Full hydraulic power steering
Brakes	
Brakes	Full-hydraulic actuated, oil-disc
Operating Specifications	
Static Tipping Load - Full Turn	11290 kg
Dump Clearance	2.9 m
Breakout Force	12795.9 kg
Service Refill Capacities	
Cooling System	48.9 L
Crankcase	30 L
Hydraulic Tank	87.9 L
Hydraulic System - Including Tank	153 L

Fuel Tank - Standard	295.3 L
Transmission	34.1 L
Differential - Final Drives - Front	36 L
Differential - Final Drives - Rear	36 L

Compare similar models

Manufacturer/Model	Bucket Capacity - Heaped	Net Power
<input type="checkbox"/> JCB 456 Wastemaster	4.6 yd ³	197 hp
<input type="checkbox"/> JCB 456ZX High Lift	4.4 yd ³	197 hp
<input type="checkbox"/> JCB 456ZX	4.4 yd ³	197 hp

Compare

Find Caterpillar IT62G Integrated Tool Carrier for Sale



[1993 Cat IT28B Wheel Loader \(Parts Only\).](#)

15521

HOUSTON, TX

[See Caterpillar Integrated Tool Carrier for sale
rbauction.com](#)

[See Caterpillar Integrated Tool Carrier for sale
ironplanet.com](#)

[See Caterpillar Integrated Tool Carrier for sale
mascus.com](#)

[Need help? Contact Us](#)

 [English](#)

Company

[About Ritchie Bros.](#)

[rbauktion.com](#)

[ironplanet.com](#)

[mascus.com](#)

[rbassetsolutions.com](#)

[Contact Us](#)

Popular Searches

[JCB 407ZX Wheel Loader](#)

[Terex TR70 Rock Truck](#)

[Caterpillar 365C L Hydraulic Excavator](#)

[Terex TA40 Articulated Dump Truck](#)

[Caterpillar 143H Motor Grader](#)

[Volvo L90D Wheel Loader](#)

[Hyundai HL780-3A Wheel Loader](#)

[Bobcat S175 Skid Steer Loader](#)

[Caterpillar D9T Crawler Tractor](#)

Looking for equipment or trucks?

Ritchie Bros. sells more new and used industrial equipment and trucks than any other company in the world.

[Equipment for sale on rbau...](#)

[Equipment for sale on ironpl...](#)

[Equipment for sale on masc...](#)

[Sell your equipment](#)

© 2007-2018 RitchieSpecs Equipment Specifications Ritchie Bros. Auctioneers © [Privacy Statement](#) | [Terms of Use](#)
OEM specifications are provided for base units. Actual equipment may vary with options.