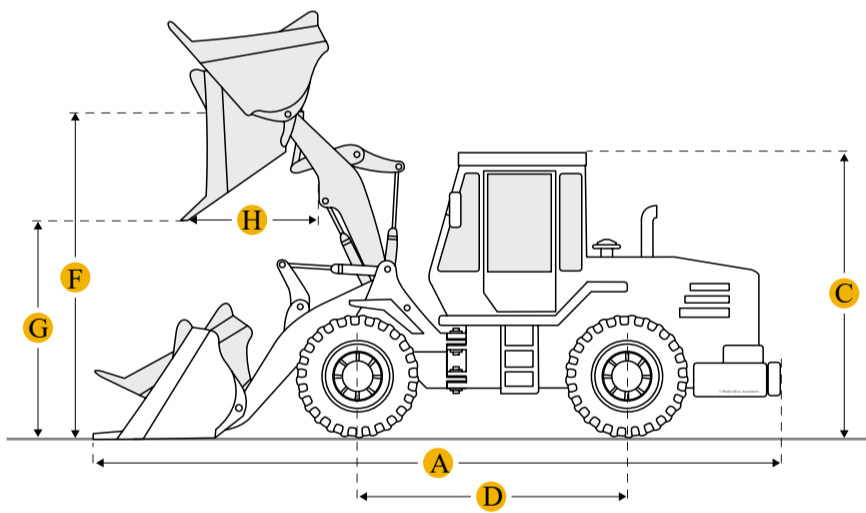
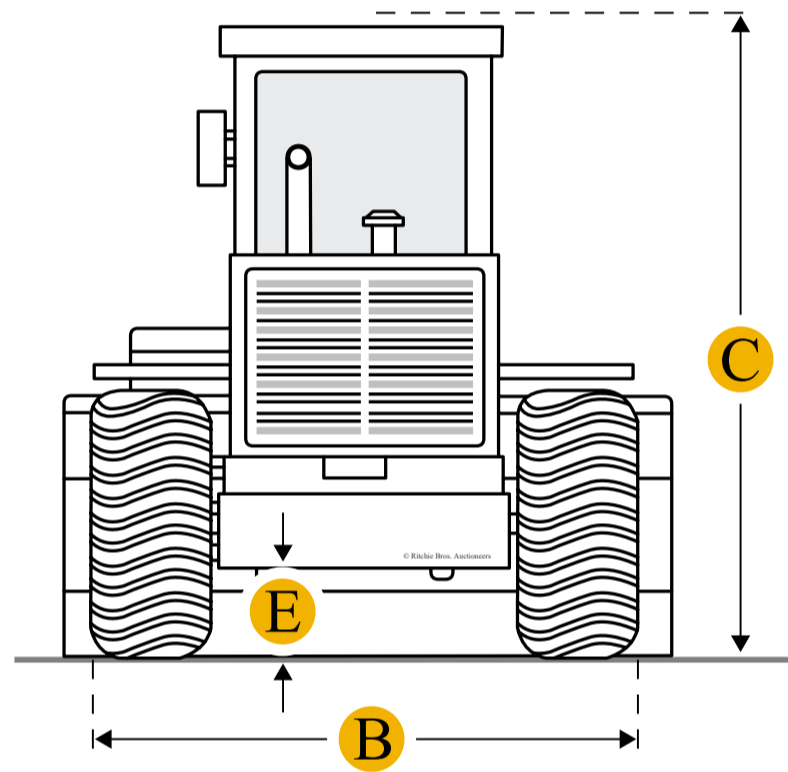
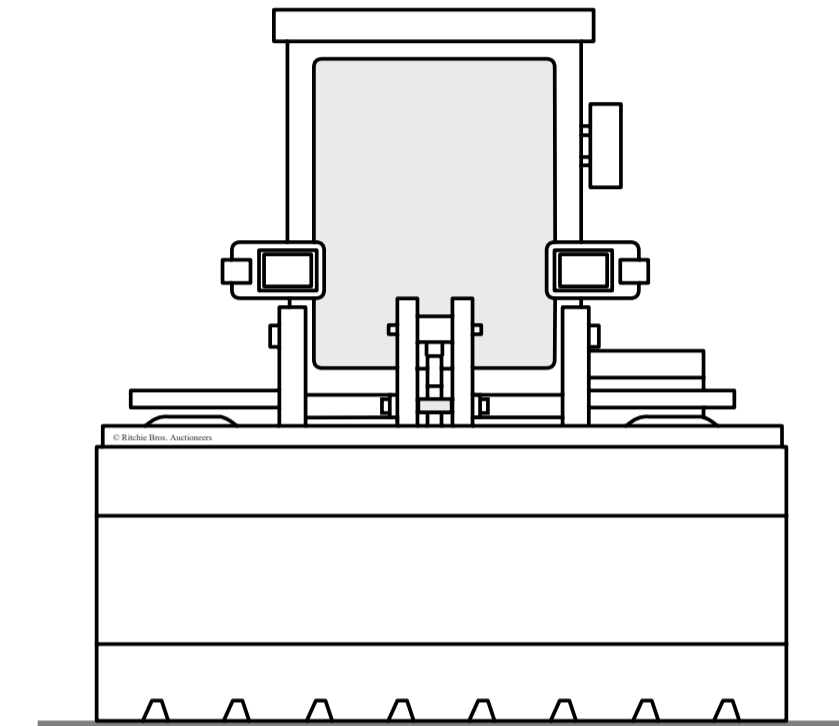


# Komatsu WA500-6 Wheel Loader



Units

Imperial

Metric

## Dimensions

### Dimensions

E	Ground Clearance	1.48 ft in
B	Width Over Tires	10.47 ft in
C	Height To Top Of Cab	12.42 ft in
D	Wheelbase	12.41 ft in
	Length	386.42 in
	Turning Circle	50.2 ft in

---

## Specifications

### Steering System

**Steering System Type** Articulated

**Minimum Turning Radius At The Centre Of Outside Tire** 21.1 ft in

### Engine

**Horsepower, Gross-Sae J1995** 356.8 hp

**Horsepower, Net-Iso 9249** 352.7 hp

**Horsepower, Net-Sae J1349** 332.6 hp

**Fan Drive Method** Hydraulic

**Lubrication Method** Gear pump, force-lubricatio

**Filter** Full-flow type

**Number Of Cylinders** 6

**Piston Displacement** 930.1 cu in

**Engine Make** 2238

**Engine Model** SAA6D140E-5

**Engine Type** Water-cooled, 4-cycle

**Air Cleaner** Dry type

**Governor** All-speed, electronic

**Displacement** 930.1 cu in

**Aspiration** Turbocharged, after cooled

**Bore** 5.6 in

**Stroke** 6.5 in

**Fuel System** Direct injection

### Driveline

**Brake** Hydraulic, Wet disc

**Ride Control System** Standard

**Maximum Speeds/Fwd Mph (Km/H)** 34.9

**Maximum Speeds/Rev Mph (Km/H)** 37.5

<b>Transmission</b>	Automatic Powershift
<b>Number Of Speeds - Forward</b>	4
<b>Number Of Speeds - Reverse</b>	4
Capacities	
<b>Front Axle</b>	5309.1 cu in
<b>Fuel Tank</b>	125 gal
<b>Cooling System</b>	31.8 gal
<b>Rear Axle</b>	21.4 gal
<b>Hydraulic System</b>	89.1 gal
<b>Engine Oil</b>	11.9 gal
<b>Torque Converter, Transmission And Retarder Cooling</b>	20.1 gal
Operational	
<b>Bucket Capacity Range – Sae</b>	4.3-5.6 m3
<b>Standard Bucket Capacity – Sae</b>	7.4 yd3
<b>Bucket Description</b>	GP Bucket, Bolt Edge
<b>Static Tipping Load,Full Turn</b>	50510.2 lb
<b>Breakout Force</b>	25000 kgf
<b>Dump Clearance, @45 Degrees Dump Angle</b>	10.9 ft in
<b>Dump Reach, @45 Degrees Dump Angle</b>	5 ft in
<b>Bucket Width</b>	9 ft in
<b>Bucket Link Type</b>	Z-bar
Transmission	
<b>Transmission Type</b>	Full-power shift, planetary type
<b>Number Of Forward Gears</b>	4
<b>Number Of Reverse Gears</b>	4
<b>Max Speed - Forward</b>	21.7 mph
<b>Max Speed - Reverse</b>	22.7 mph
Tires	
<b>Standard Fitment Size</b>	29.5 R25 2Star VSDL L5

## Weights

<b>Operating Weight</b>	77161.8 lb
Hydraulic System	
<b>Steering Pump Type</b>	Piston Pump
<b>Loader Control Type</b>	Piston Pump
<b>Number Of Cylinders</b>	2
<b>Bore</b>	4 in
<b>Loader Control Capacity</b>	84.6 gal/min
<b>Control Valve</b>	2-spool type
<b>Control Positions Boom</b>	Raise, hold, lower, and float
<b>Control Positions Bucket</b>	Tilt-back, hold, and dump
<b>Hydraulic Cylinders Type</b>	Double-acting, piston type
<b>Lift Cylinder Stroke</b>	35.4 in
<b>Lift Cylinder</b>	2
<b>Lift Cylinder Bore</b>	6.3 in
<b>Bucket Cylinde Bore</b>	7.3 in
<b>Bucket Cylinde Stroke</b>	26.6 in
<b>Stroke</b>	19.2 in
<b>Relief Valve Setting</b>	34.3 MPa 350 kgf/cm <sup>2</sup> 4,980 ps
<b>Pump Flow Capacity</b>	31.8 gal/min
<b>Raise Time</b>	7.2 sec
<b>Dump Time</b>	1.7 sec
<b>Lower Time</b>	4.2 sec
Axles	
<b>Drive System</b>	Four-wheel drive
<b>Front</b>	Fixed, semi-floating
<b>Rear</b>	Center-pin support, semi-floating, 24° total oscillation
Hydraulic System	

**Pump Type**

Piston Pump

Final Drive

**Reduction Gear**

Spiral bevel gear

**Differential Gear**

Torque proportioning

**Final Reduction Gear**

Planetary gear, single reduction

Brakes

**Parking Brake**

Wet

**Service Brake**

Hydraulically actuated

**Emergency Brake**


Parking brake is commonly used

---

## Find Komatsu WA500-6 Wheel Loader for Sale



[2006 Komatsu WA500-6 Wheel Loader](#)

 27489

 CHEHALIS, WA

[See Komatsu Wheel Loader for sale rbauction.com](#)

[See Komatsu Wheel Loader for sale ironplanet.com](#)

[See Komatsu Wheel Loader for sale mascus.com](#)

### Company

[About Ritchie Bros.](#)

[rbauction.com](http://rbauction.com)

[ironplanet.com](http://ironplanet.com)

[mascus.com](http://mascus.com)

[rbassetsolutions.com](http://rbassetsolutions.com)

[Contact Us](#)

### Popular Searches

[JCB 407ZX Wheel Loader](#)

[Terex TR70 Rock Truck](#)

[Caterpillar 365C L Hydraulic Excavator](#)

[Terex TA40 Articulated Dump Truck](#)

[Caterpillar 143H Motor Grader](#)

[Volvo L90D Wheel Loader](#)

[Hyundai HL780-3A Wheel Loader](#)

[Bobcat S175 Skid Steer Loader](#)

[Caterpillar D9T Crawler Tractor](#)

### Looking for equipment or trucks?

Ritchie Bros. sells more new and used industrial equipment and trucks than any other company in the world.

[Equipment for sale on rbauction.com](#)

[Equipment for sale on ironplanet.com](#)

[Equipment for sale on mascus.com](#)

[Sell your equipment](#)